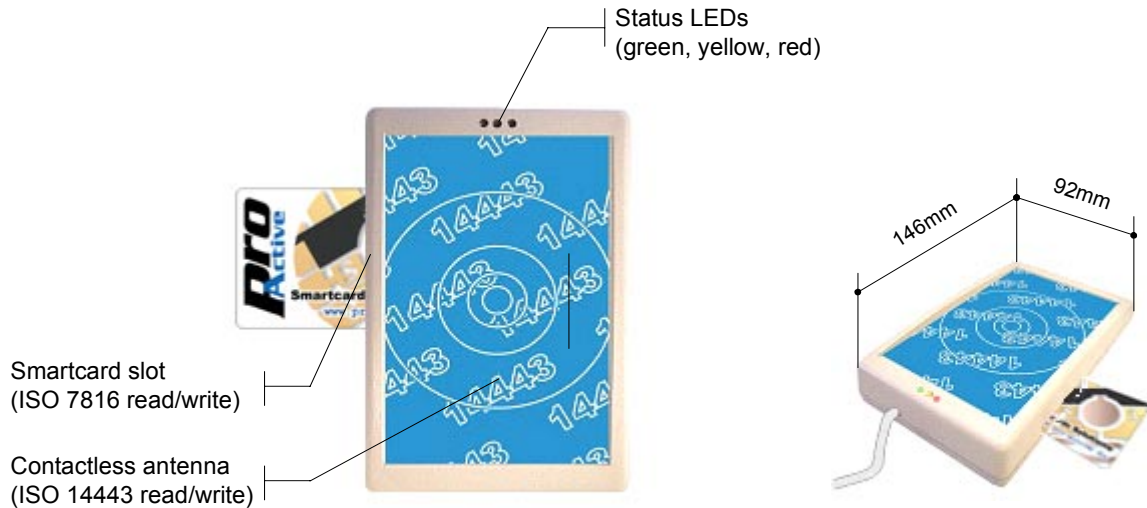
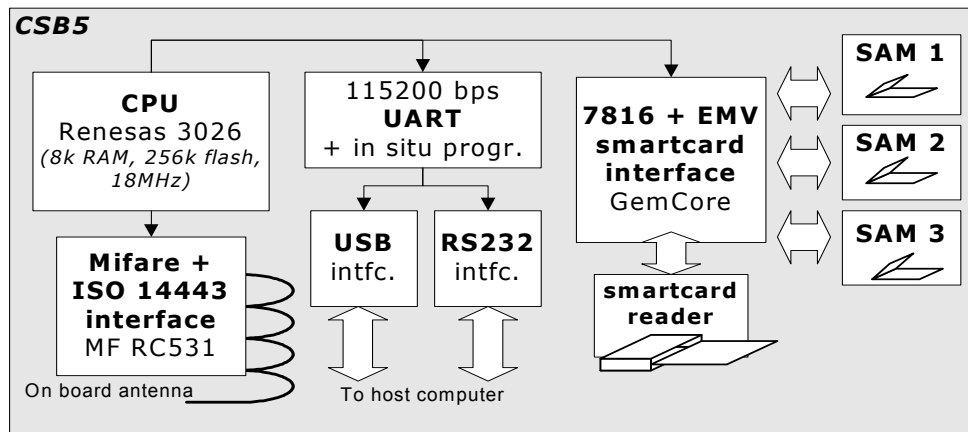


CSB-5

DETAILED VIEWS



BLOCK DIAGRAM



TECHNICAL DATA

Power supply

CSB-5S 12V DC, 250mA
CSB-5U Powered by USB

Dimensions

Mother board 14.6 x 9.2 x 2.2 cm

Communication with host

CSB-5S 38400 or 115200 bps
CSB-5S RS232 (DB9)
CSB-5U USB 1.1

Temperature range 0 to 45°C

Part numbers

CSB-5S Serial contactless + smartcard reader with 3 SAM slots
CSB-5U USB contactless + smartcard reader with 3 SAM slots

Contactless interface

ISO compliance 14443-A & B layers 1-2-3-4
Others standards Mifare, Desfire, T=CL...
Transmission speed 106, 212 and 424 kbps
Operating distance Up to 8cm (depends on the card)

SAM slots

..... 3 slots
ISO compliance 7816 layers 1-2-3-4, T=0 and T=1
Card power supply 3V
Transmission speed Up to 115 kbps

Smartcard reader

ISO compliance 7816 layers 1-2-3-4, T=0 and T=1
Card power supply 3V or 5V
Transmission speed Up to 115 kbps

Information in this document is subject to change without notice. No part of this document may be reproduced or transmitted in any form or by any means, electronic or mechanical, for any purpose, without the express written permission of PRO ACTIVE. PRO ACTIVE and the PRO ACTIVE logo are registered trademarks of PRO ACTIVE S.A.R.L. MIFARE and Philips are registered trademarks of Philips.

DATASHEET



PRO ACTIVE
PARC GUTENBERG
13 VOIE LA CARDON
F-91120 PALAISEAU
France

Phone. : +33 164 532 010
Fax : +33 164 532 018

mail : info@pro-active.fr
web : www.pro-active.fr

S.A.S. capital of 227 000 €
R.C.S. EVRY B 429 665 482
A.P.E. 722Z
VAT #. FR27 429 665 482